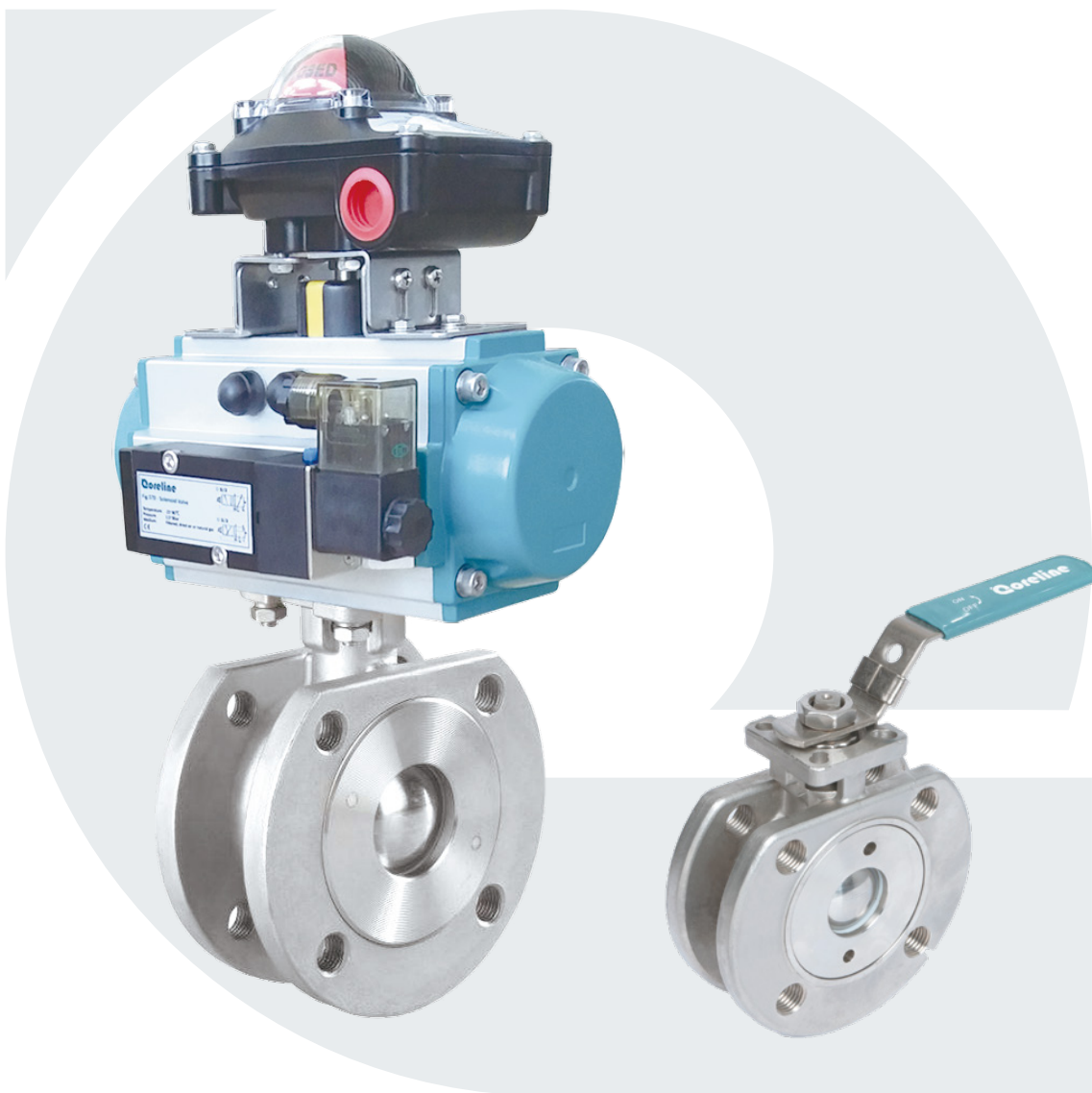
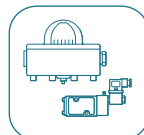
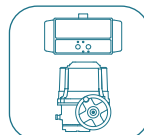
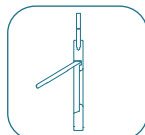
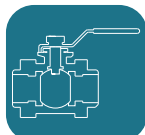
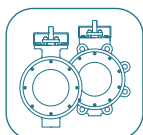
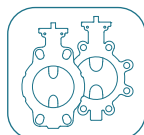


## Wafer ball valve

Fig.170



[www.coreline.dk](http://www.coreline.dk)



## Fig.170 wafer ball valve with ISO mounting pad

### Features

- Wax casting with excellent surface finish.
- Full bore for better Kv value.
- Anti-static devices for ball - stem - body.
- Blow-out proof stem.
- Pressure relief hole in ball slot.
- ISO5211 direct mounting pad for easy automation.



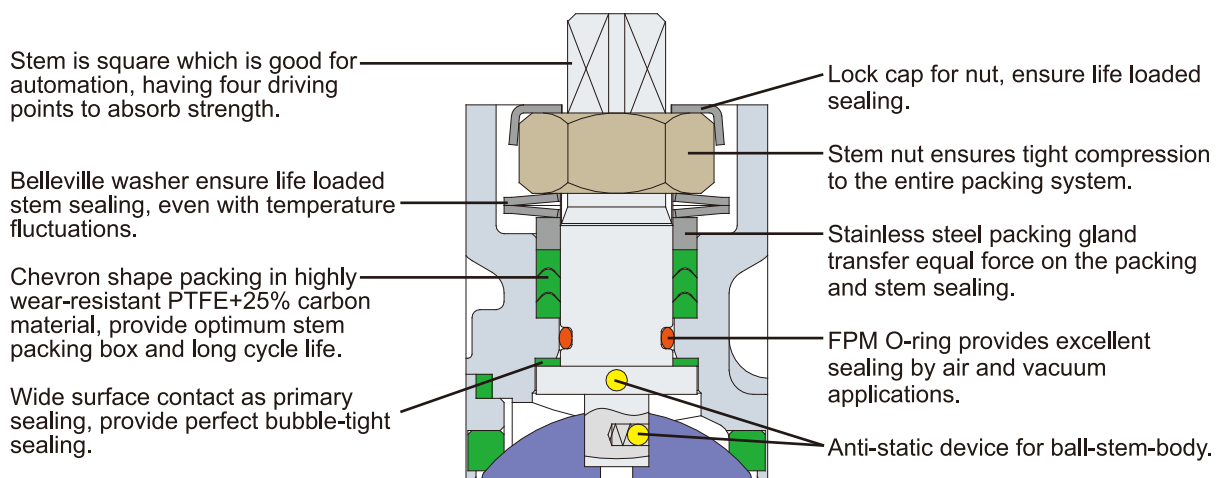
### Specifications

Connection:	Flanged ends according to EN1092-1
Size range:	DN15 to DN150
Pressure rating:	DN15-DN50: PN16/PN40 DN65-DN150: PN16
Body:	Stainless steel, carbon steel
Seat:	PTFE. Alternative RPTFE, TFM1600
Top flange:	ISO5211
Operation:	Hand lever, pneumatic actuator, electric actuator



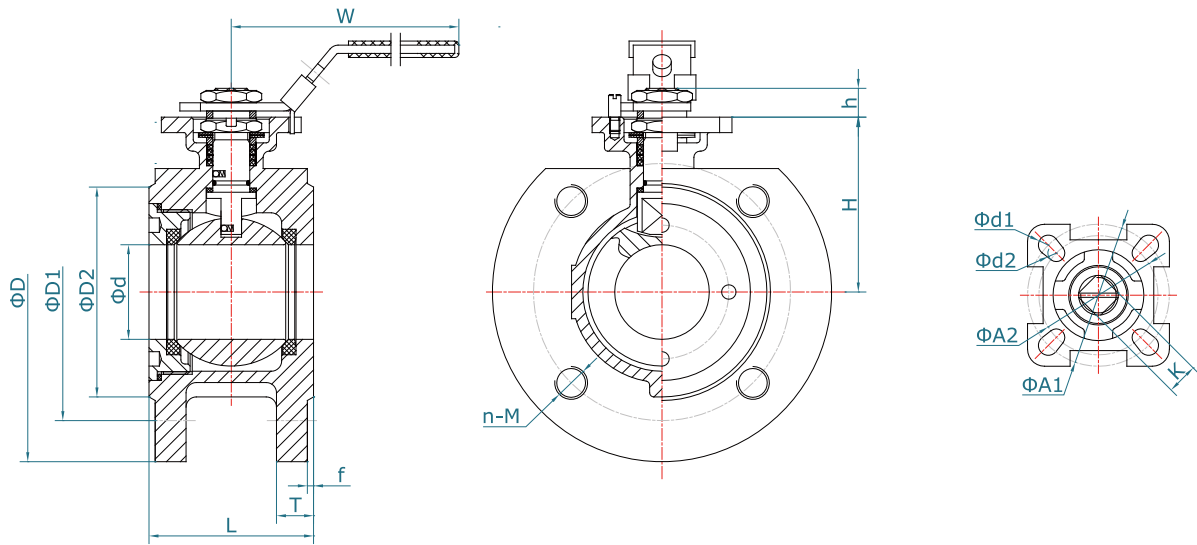
ATEX, CE, SIL and EU1935/2004 (European food approval) for Coreline ball valves.

### Stem sealing system



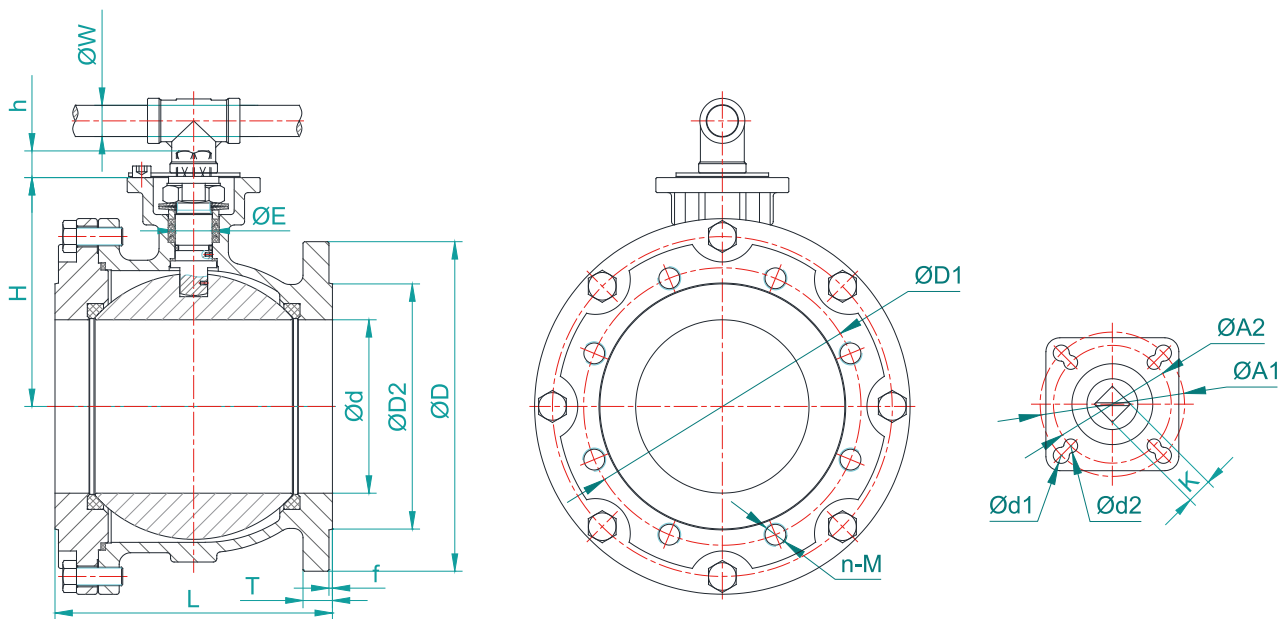
# Fig.170 wafer ball valve with ISO mounting pad

## Dimensions DN15 - DN100



Size		Valve with handle										Mounting flange					Stem		
INCH	DN	d	L	H	W	D	D1	D2	T	f	n-M	ISO5211	A1	d1	ISO5211	A2	d2	K	h
1/2"	15	15	35	76	110	95	65	45	14	2	4-M12	F04	42	3	F03	36	3	9	9
3/4"	20	20	39	81	110	105	75	58	16	2	4-M12	F04	42	3	F03	36	3	9	9
1"	25	25	44	90	160	115	85	68	16	2	4-M12	F05	50	3.5	F04	42	3	11	11
1 1/4"	32	32	52	102	160	140	100	78	16	2	4-M16	F05	50	3.5	F04	42	3	11	11
1 1/2"	40	38	64	115	185	150	110	88	16	3	4-M16	F07	70	4.5	F05	50	3.5	14	14
2"	50	50	83	122	185	165	125	102	18	3	4-M16	F07	70	4.5	F05	50	3.5	14	14
2 1/2"	65	65	105	168	305	185	145	122	18	3	4-M16	F07	70	4.5	F05	50	3.5	14	14
3"	80	76	121	178	305	200	160	138	20	3	8-M16	F10	102	5.5	F07	70	4.5	17	17
4"	100	96	152	198	305	220	180	158	20	3	8-M16	F10	102	5.5	F07	70	4.5	17	17

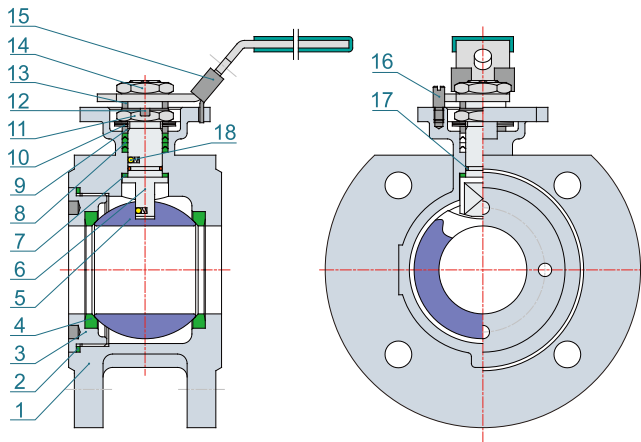
## Dimensions DN125 - DN150



Size		Valve with handle										Mounting flange					Stem			
INCH	DN	d	L	H	D	D1	D2	E	W	T	f	n-M	ISO5211	A1	d1	ISO5211	A2	d2	K	h
5"	125	125	194	180	250	188	210	32	27	22	3	8-M16	F12	125	7	F10	102	6	22	24
6"	150	150	234	198	285	212	240	32	27	22	3	8-M20	F12	125	7	F10	102	6	22	24

# Fig.170 wafer ball valve with ISO mounting pad

## Material part list



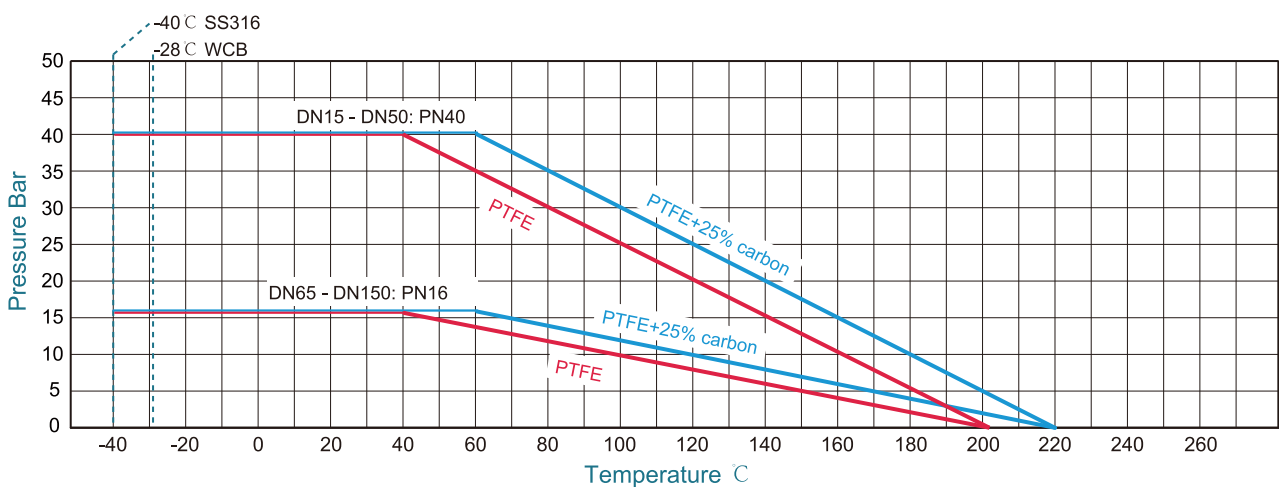
No.	Part name	Material		
1	Body	A351 CF8	A351 CF8M	A216 WCB
2	Gasket	PTFE		
3	Bonnet	A351 CF8	A351 CF8M	A216 WCB
4	Seat	PTFE		
5	Ball	AISI304	AISI316	AISI304
6	Stem	AISI304	AISI316	AISI304
7	Stem washer	PTFE		
8	V-ring packing	PTFE		
9	Gland	AISI304		
10	Belleville washer	AISI304		
11	Nut	AISI304		
12	Stop lock cap	AISI304		
13	Washer	AISI304		
14	Nut	AISI304		
15	Handle	AISI201		
16	Stop bolt	AISI304		
17	O-ring	FPM		
18	Anti-static device	AISI304		

## Technical data

Size		1) Break away torque	2) Kv - 90°	Weight
INCH	DN	[Nm]	[m³/h]	[kg]
1/2"	15	6.5	10	1.1
3/4"	20	9.1	27	1.8
1"	25	13	48	2.5
1 1/4"	32	20.2	70	3.9
1 1/2"	40	28.6	120	5.2
2"	50	38.4	205	6.7
2 1/2"	65	68	270	11.5
3"	80	112	495	15
4"	100	160	870	20.5
5"	125	340	1320	45
6"	150	680	1960	64

- 1) The torque value is including a safety factor of 1.3 at max. pressure rating, clean water, PTFE sealing.  
 2) Kv-valve rated flow coefficients (m³/h at 1 bar ΔP)

## Pressure temperature curve



**Coreline**

The contents of this catalogue are confidential and proprietary to Coreline, we reserve the right to change the specifications without any notice.

**CORELINE LTD.**

Add: No.4 Wangjiang Road, Muqiao Town, Zhengpugang New District, 238200 Hexian, Ma'anshan City, Anhui Province, China

Http: // www.coreline.dk

E-mail : mail@coreline.cn